

## AW Axial Fans

### Low-pressure axial wall fans up to 39.000 m<sup>3</sup>/h

- Available with AC and EC motors for 60Hz
- Installation in any position
- Noise and energy-optimised impeller

[Find more details in our online catalogue](#)



### Flexible

The AW fans are **designed** for extracting air in **low-pressure systems**. They can be installed in any position and way according to your demands.

This ensures that the fans can be used in a variety of **commercial** and **industrial** applications.

### Performance

The **noise-optimised** axial impellers together with the **highly efficient** external rotor motors are designed to ensure high-level performance to **minimise power consumption** and **maximise efficiency**.

## Features

### Construction

The square wall plate is made of galvanized steel with powder coating in RAL9005.

Sizes **200-300** with **AC motors** except AW 300E2 are available with **integrated thermostat switch**.

Sizes **315-1000** with **AC motors** and AW **300E2** are available with pre-wired integrated **thermal contact** with leads for a **motor protection device**.

The models with **EC motors** have **integrated** electronic **motor protection**.

Depending on the type, the fans are equipped with an external **terminal box**, protection class **IP44, IP54 or IP55**.

### Impeller

The AW fans use **axial impellers**. These are made of **coated steel**, **composite material** or **aluminium**, are dynamically **balanced** and are paired with corresponding external rotor motors.

### Motor

Depending on type, AW fans are equipped with an **AC** or **EC external rotor motor**. The motors are suitable for **50Hz** and **60Hz**.

### Motor protection

Sizes **200-300** with **AC motors** are available with **integrated** thermal protection with manual (electrical) reset.

Sizes **200-1000** with **AC motors** are available with prewired integral **thermal contact** with leads to a **motor protection device**.

Models with **EC motors** have an **integrated** electronic, **thermal protection** including **locked-rotor protection** and **soft-start**.

### Control

**EC motors** can be controlled by an external **signal of 0-10V**.

**EC motors depending on size** are also equipped with **ModBus** communication or **alarm signal**.

**AC motors** can be controlled by **5-step, stepless** speed regulator or **frequency inverter**.

### Installation

The AW fans can be installed in **any position on wall or ceiling** in **indoor** environments.

## Technical parameters

### Nominal data

|   |            |      |
|---|------------|------|
| Voltage (nominal)   | 230        | V    |
| Frequency   | 50         | Hz   |
| Phases  | 1~         |      |
| Input power   | 100        | W    |
| Input power kW  | 0.1        | kW   |
| Input current   | 0.41       | A    |
| Impeller speed  | 1,330      | rpm  |
| Air flow  | max 0.5839 | m³/s |
| Capacitance of capacitor                                  | 3          | µF   |
| Temperature of transported air                            | max 60     | °C   |
| Max temperature of transported air, when speed controlled | 60         | °C   |

### Sound data

|                            |    |       |
|----------------------------|----|-------|
| Sound pressure level at 1m | 56 | dB(A) |
|----------------------------|----|-------|

### Protection/Classification

|                        |      |
|------------------------|------|
| Enclosure class, motor | IP44 |
| Insulation class       | F    |

### Dimensions and weights

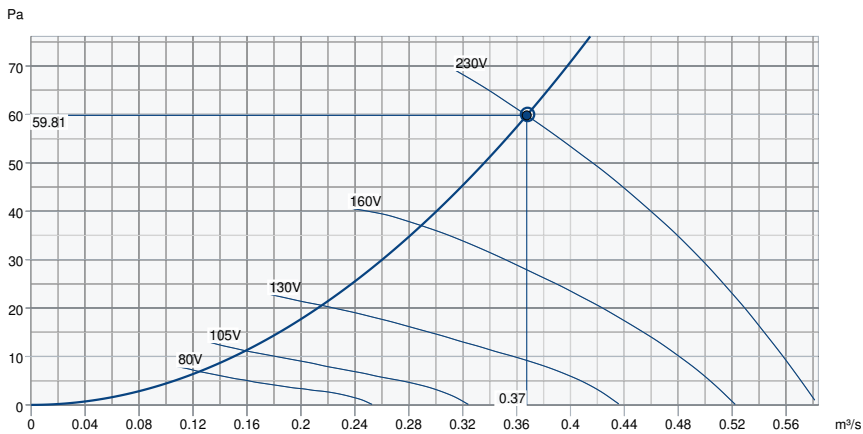
|                                 |     |    |
|---------------------------------|-----|----|
| Duct dimension; Circular, inlet | 300 | mm |
| Weight                          | 5.4 | kg |

### Others

|                    |       |
|--------------------|-------|
| Color name, casing | Black |
| Motor type         | AC    |

## Performance

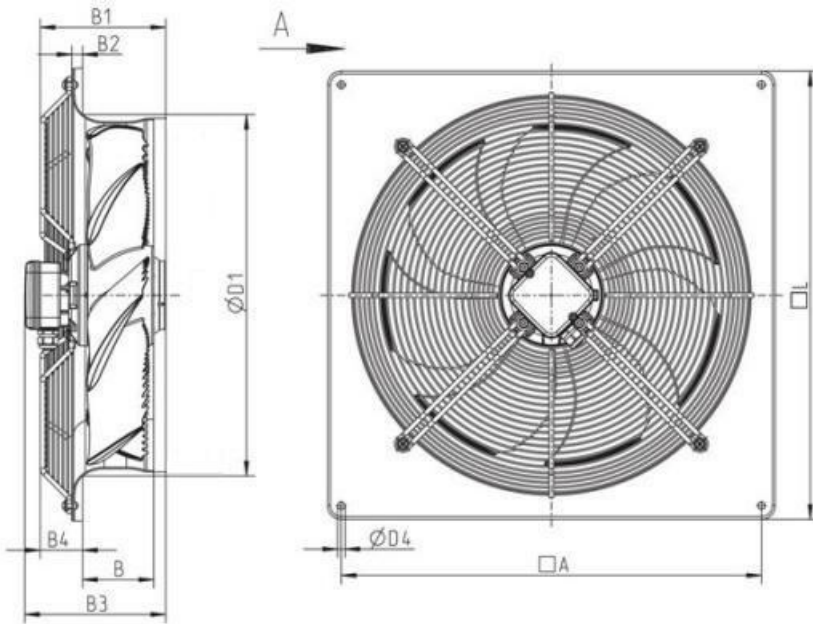
### Performance curve



#### Hydraulic data

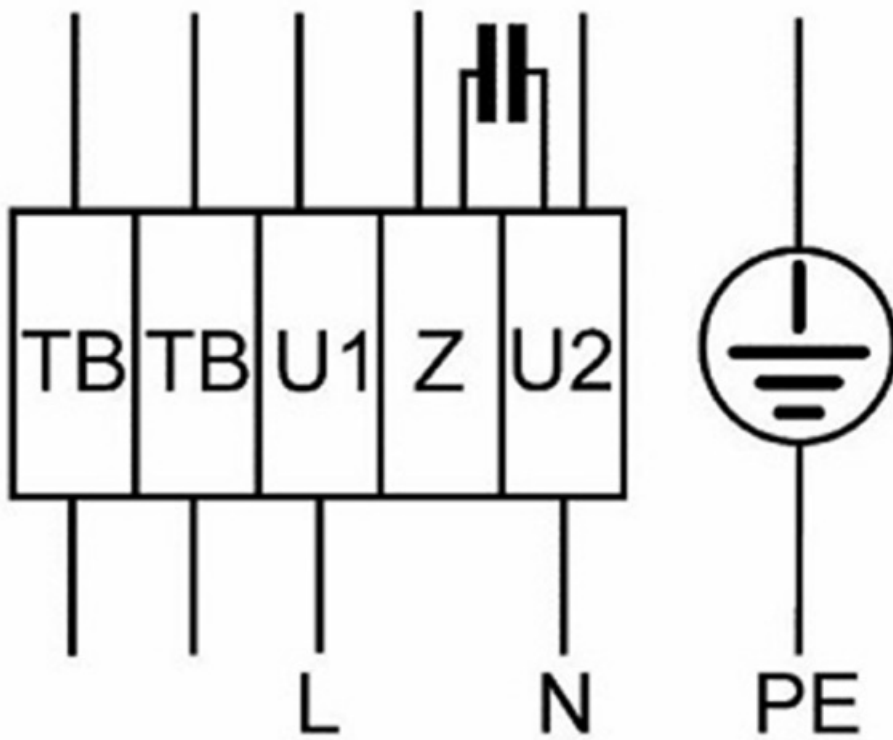
|                          |               |
|--------------------------|---------------|
| Required air flow        | 0.37 m³/s     |
| Required static pressure | 60 Pa         |
| Working air flow         | 0.37 m³/s     |
| Working static pressure  | 60 Pa         |
| Air density              | 1.204 kg/m³   |
| Power                    | 94.2 W        |
| Fan control - RPM        | 1,336 rpm     |
| Current                  | 0.41 A        |
| SFP                      | 0.256 kW/m³/s |
| Control voltage          | 230.0 V       |
| Supply voltage           | 230 V         |

Dimension



|          | □A  | B  | B1  | B2 | B3  | B4 | ØD1 | ØD4 | □L  |
|----------|-----|----|-----|----|-----|----|-----|-----|-----|
| AW 300E4 | 380 | 69 | 103 | 11 | 165 | 28 | 326 | 9   | 430 |

### Wiring



## Accessories

- AWE-SK Motorprotection 2A/230V (5138)
- REU 1.5 Speed control (5004)
- RTRE 1,5 Speed control (5008)
- RAW 300/315 Roof Cowl c/w BG (86491)
- REE 1 Speed control (5314)
- REV-5POL/05-7,5kW R/Y (33979)
- VK-30 Louvre shutter (5641)

## Documents

- BAL-AXIAL-SILEO-SYSTEMAIR-08-2013.PDF